

SIF (Oklahoma)

Last Modified on 10/22/2022 10:34 am CDT

This article explains how the Oklahoma's SIF model has been set up, which objects and elements are being sent and the Campus configuration required to successfully use SIF on OK versions of Campus.

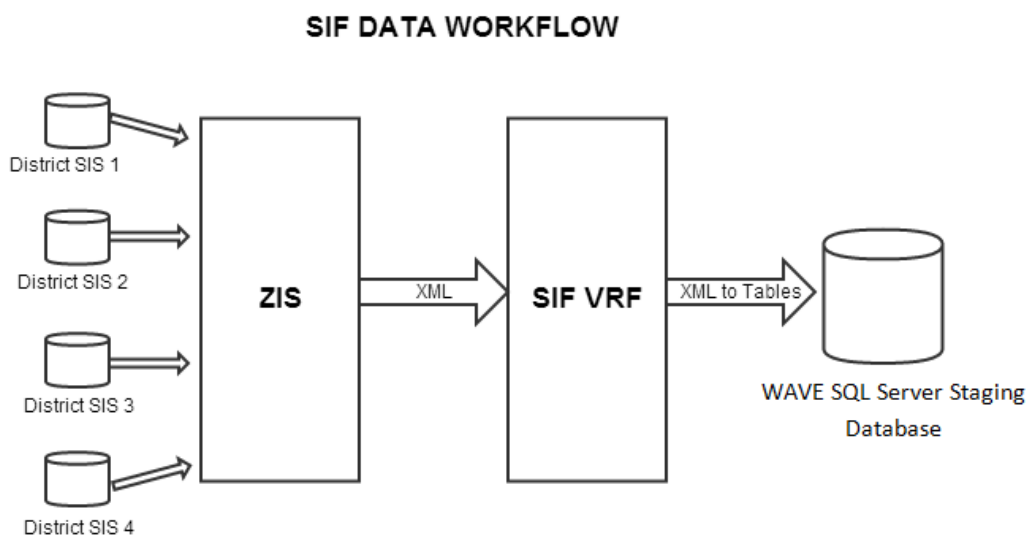
This article will explain the following items:

- [Business Requirements](#)
- [State SIF Model](#)
- [Version](#)
- [Architecture](#)
- [Objects](#)
- [State SIF Configuration](#)
- [Additional Setup](#)
- [FAQ](#)

Business Requirements

The Oklahoma Department of Education (SDE) is continuing to develop and implement a comprehensive state-wide student record tracking and reporting system called the Wave. Using the Wave, SDE staff are able to manage data for decision making and statistical reporting at the state level, routinely provide pertinent information to school districts and satisfy mandated state and federal reporting requirements.

State SIF Model



Version

The current active SIF version for the framework is v2.0r1.

Architecture

The Oklahoma Department of Education has implemented the WAVE collection system. Data is transferred from a Campus SIF Agent to the State ZIS.

Objects

For a complete list of objects, elements and extended elements used in OK SIF messaging, see the Excel documents below (Updated with Release Pack .2231):

- [OK SIF Objects in Tables.xlsx](#) 

State SIF Configuration

State SIF configuration is done by Campus during implementation of SIF. The following sections describe how Campus sets up each tool within the State SIF configuration process.

Due to the specific nature of each customer's SIF configuration setup, the Agent, Zone and Data Access Right setup shown in the sections below are for **EXAMPLE PURPOSES ONLY**. If you are having difficulty configuring these tools within Campus, please contact Campus Support.

Agent Setup

PATH: *System Administration > Data Interchange > Agents*

A state agent is set up to ensure information is properly communicated between Campus and the state ZIS (see Image 1).

The **URL for zone to pull from** is provided by the State.

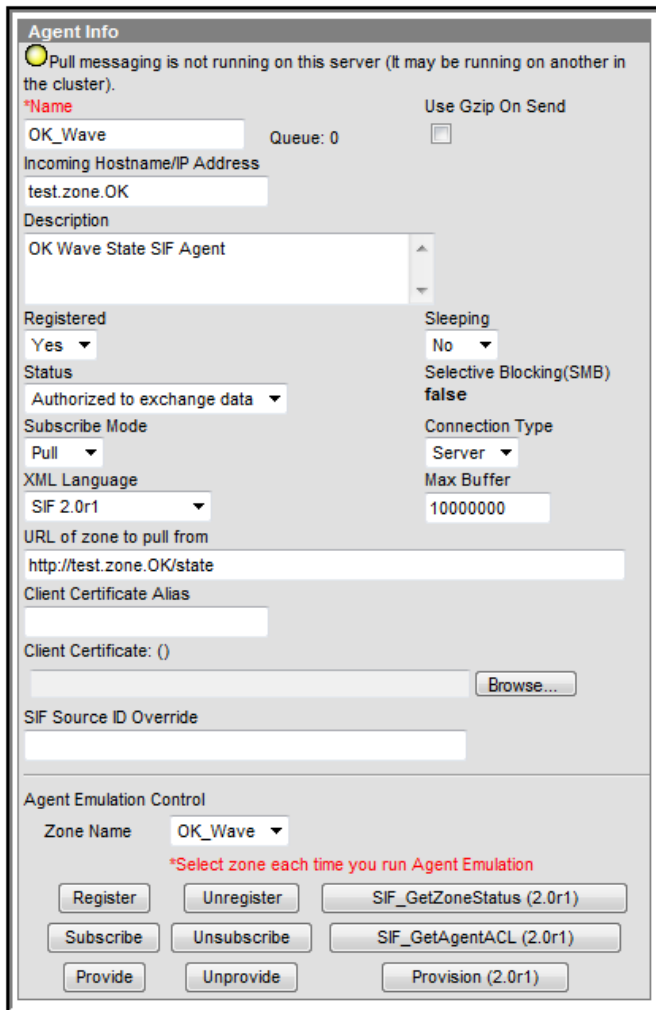


Image 1: State Agent Setup

Once the Agent is setup, the **Register** button needs to be selected. This will send a register message to the state URL. Once Data Access Rights are established, the **Subscribe** and **Provide** buttons need to be selected which will send SIF messages to the state letting them know how our access control list is configured.

Zone Setup

PATH: *System Administration > Data Interchange > Zones*

A state Zone is established with the values shown in the image below (Image 2). The Campus ZIS acts as the communication hub and manager of zones used for data messaging. The ZIS controls the access, routing and security of data messages from various types of [Agents](#) operating within its zones (e.g., [SIF](#) agents, district/state-level agents, [POS](#) agents, [DIS](#) agents).

The ZIS allows zones to be scoped to specific years, schools and/or calendars, which eliminates the transfer of excess data. Messages are routed through the ZIS based on the Data Access Rights configured for the data objects allowed to exchange within each zone.

Zone Info

***Name**
OK_Wave

XML Language
Any (not ZIS restricted) ▼

Allow HTTP (please don't use this in production)

Description
SIF Zone for OK Wave collections

School
All Schools ▼

Year
13-14 ▼

Calendar
▼

URL for Communication
https://support2.infinitecampus.com/ELA/interchange/laeok/OK_Wave

Image 2: State Zone Setup

Zone Option Setup

PATH: *System Administration > Data Interchange > Zones > Zone Options*

Users should determine Zone Options for their SIF zone (Image 3). Zone Options allow users to limit or specify certain data objects and parameters transferred between agents tied to the zone. Users should set the appropriate settings in order to populate their SIF elements with data that matches their state reporting.

Index Search Help <

Zones **Zone Options**

Save

Zone List	
Name	Scope
District	13-14 Ackerly/Bingham Guidance C
KYStateZone	13-14
KYStateZoneM1	12-13
KYStateZoneP1	14-15

Data Filtering Options

Note: Campus Zone, not editable

Exclude All Secondary Enrollments

Strip Empty SIF 2.* XML Elements

Exclude No Show Enrollments

Exclude All State Exclude Enrollments

Publish Social Security Numbers in StaffPersonal

Publish Social Security Numbers in StudentPersonal

Exclude Schools with No Calendars

Attendance Code Allowed List

EHO: Educ Enhancement Opp ▼

EX: Early Dismissal Excused ▼

TNE: Tardy Unexcused ▼

Add AttendanceCode

Image 3: Setting Zone Options

Data Access Rights Setup

PATH: *System Administration > Data Interchange > Data Access Rights*

Data Access Rights need to be established for the Campus and State agent. Data access rights specify how certain data objects may be exchanged between Campus and State agents.

First, Data Access Rights are set for the Campus agent. The image below shows the Objects and rights that are given to each object. This ensures information is properly sent from Campus to the State agent.

Access Control List for OK141002Campus in OK_Wave										
Object Name	Req OK	Sub OK	Resp OK	Prov OK	Add OK	Chng OK	Del	OK		
AttendanceCodeInfo (sif1.1)	<input type="checkbox"/>	<input type="checkbox"/>	<input type="checkbox"/>	<input checked="" type="checkbox"/>	<input checked="" type="checkbox"/>	<input checked="" type="checkbox"/>	<input checked="" type="checkbox"/>	<input checked="" type="checkbox"/>	<input checked="" type="checkbox"/>	<input checked="" type="checkbox"/>
CalendarDate (sif2.0)	<input type="checkbox"/>	<input type="checkbox"/>	<input type="checkbox"/>	<input checked="" type="checkbox"/>	<input checked="" type="checkbox"/>	<input checked="" type="checkbox"/>	<input checked="" type="checkbox"/>	<input checked="" type="checkbox"/>	<input checked="" type="checkbox"/>	<input checked="" type="checkbox"/>
CalendarSummary (sif2.0)	<input type="checkbox"/>	<input type="checkbox"/>	<input type="checkbox"/>	<input checked="" type="checkbox"/>	<input checked="" type="checkbox"/>	<input checked="" type="checkbox"/>	<input checked="" type="checkbox"/>	<input checked="" type="checkbox"/>	<input checked="" type="checkbox"/>	<input checked="" type="checkbox"/>
DisciplineIncident (sif2.0)	<input type="checkbox"/>	<input type="checkbox"/>	<input type="checkbox"/>	<input checked="" type="checkbox"/>	<input checked="" type="checkbox"/>	<input checked="" type="checkbox"/>	<input checked="" type="checkbox"/>	<input checked="" type="checkbox"/>	<input checked="" type="checkbox"/>	<input checked="" type="checkbox"/>
LEAInfo (sif1.5)	<input type="checkbox"/>	<input type="checkbox"/>	<input type="checkbox"/>	<input checked="" type="checkbox"/>	<input checked="" type="checkbox"/>	<input type="checkbox"/>	<input checked="" type="checkbox"/>	<input checked="" type="checkbox"/>	<input type="checkbox"/>	<input type="checkbox"/>
RoomInfo (sif1.1)	<input type="checkbox"/>	<input type="checkbox"/>	<input type="checkbox"/>	<input checked="" type="checkbox"/>	<input checked="" type="checkbox"/>	<input checked="" type="checkbox"/>	<input checked="" type="checkbox"/>	<input checked="" type="checkbox"/>	<input checked="" type="checkbox"/>	<input checked="" type="checkbox"/>
SchoolCourseInfo (sif1.1)	<input type="checkbox"/>	<input type="checkbox"/>	<input type="checkbox"/>	<input checked="" type="checkbox"/>	<input checked="" type="checkbox"/>	<input checked="" type="checkbox"/>	<input checked="" type="checkbox"/>	<input checked="" type="checkbox"/>	<input checked="" type="checkbox"/>	<input checked="" type="checkbox"/>
SchoolInfo (sif1.1)	<input type="checkbox"/>	<input type="checkbox"/>	<input type="checkbox"/>	<input checked="" type="checkbox"/>	<input checked="" type="checkbox"/>	<input checked="" type="checkbox"/>	<input checked="" type="checkbox"/>	<input checked="" type="checkbox"/>	<input checked="" type="checkbox"/>	<input checked="" type="checkbox"/>
SectionInfo (sif1.1)	<input type="checkbox"/>	<input type="checkbox"/>	<input type="checkbox"/>	<input checked="" type="checkbox"/>	<input checked="" type="checkbox"/>	<input checked="" type="checkbox"/>	<input checked="" type="checkbox"/>	<input checked="" type="checkbox"/>	<input checked="" type="checkbox"/>	<input checked="" type="checkbox"/>
StaffAssignment (sif1.5)	<input type="checkbox"/>	<input type="checkbox"/>	<input type="checkbox"/>	<input checked="" type="checkbox"/>	<input checked="" type="checkbox"/>	<input checked="" type="checkbox"/>	<input checked="" type="checkbox"/>	<input checked="" type="checkbox"/>	<input checked="" type="checkbox"/>	<input checked="" type="checkbox"/>
StaffPersonal (sif1.1)	<input type="checkbox"/>	<input type="checkbox"/>	<input type="checkbox"/>	<input checked="" type="checkbox"/>	<input checked="" type="checkbox"/>	<input checked="" type="checkbox"/>	<input checked="" type="checkbox"/>	<input checked="" type="checkbox"/>	<input checked="" type="checkbox"/>	<input checked="" type="checkbox"/>
StudentAcademicRecord (sif2.0)	<input type="checkbox"/>	<input type="checkbox"/>	<input type="checkbox"/>	<input checked="" type="checkbox"/>	<input checked="" type="checkbox"/>	<input type="checkbox"/>	<input type="checkbox"/>	<input type="checkbox"/>	<input type="checkbox"/>	<input type="checkbox"/>
StudentAttendanceSummary (sif2.0)	<input type="checkbox"/>	<input type="checkbox"/>	<input type="checkbox"/>	<input checked="" type="checkbox"/>	<input checked="" type="checkbox"/>	<input type="checkbox"/>	<input type="checkbox"/>	<input type="checkbox"/>	<input type="checkbox"/>	<input type="checkbox"/>
StudentContact (sif1.1)	<input type="checkbox"/>	<input type="checkbox"/>	<input type="checkbox"/>	<input checked="" type="checkbox"/>	<input checked="" type="checkbox"/>	<input checked="" type="checkbox"/>	<input checked="" type="checkbox"/>	<input checked="" type="checkbox"/>	<input checked="" type="checkbox"/>	<input checked="" type="checkbox"/>
StudentDailyAttendance (sif1.1)	<input type="checkbox"/>	<input type="checkbox"/>	<input type="checkbox"/>	<input checked="" type="checkbox"/>	<input checked="" type="checkbox"/>	<input type="checkbox"/>	<input type="checkbox"/>	<input type="checkbox"/>	<input type="checkbox"/>	<input type="checkbox"/>
StudentPersonal (sif1.1)	<input type="checkbox"/>	<input type="checkbox"/>	<input checked="" type="checkbox"/>	<input checked="" type="checkbox"/>	<input checked="" type="checkbox"/>	<input checked="" type="checkbox"/>	<input checked="" type="checkbox"/>	<input checked="" type="checkbox"/>	<input checked="" type="checkbox"/>	<input checked="" type="checkbox"/>
StudentSchoolEnrollment (sif1.1)	<input type="checkbox"/>	<input type="checkbox"/>	<input type="checkbox"/>	<input checked="" type="checkbox"/>	<input checked="" type="checkbox"/>	<input checked="" type="checkbox"/>	<input checked="" type="checkbox"/>	<input checked="" type="checkbox"/>	<input checked="" type="checkbox"/>	<input checked="" type="checkbox"/>
StudentSectionEnrollment (sif1.1)	<input type="checkbox"/>	<input type="checkbox"/>	<input type="checkbox"/>	<input checked="" type="checkbox"/>	<input checked="" type="checkbox"/>	<input checked="" type="checkbox"/>	<input checked="" type="checkbox"/>	<input checked="" type="checkbox"/>	<input checked="" type="checkbox"/>	<input checked="" type="checkbox"/>
StudentSectionMarks (sif2.0)	<input type="checkbox"/>	<input type="checkbox"/>	<input type="checkbox"/>	<input checked="" type="checkbox"/>	<input checked="" type="checkbox"/>	<input checked="" type="checkbox"/>	<input checked="" type="checkbox"/>	<input checked="" type="checkbox"/>	<input checked="" type="checkbox"/>	<input checked="" type="checkbox"/>
TermInfo (sif1.1)	<input type="checkbox"/>	<input type="checkbox"/>	<input type="checkbox"/>	<input checked="" type="checkbox"/>	<input checked="" type="checkbox"/>	<input checked="" type="checkbox"/>	<input checked="" type="checkbox"/>	<input checked="" type="checkbox"/>	<input checked="" type="checkbox"/>	<input checked="" type="checkbox"/>

Add DISDataAccess

Second, Data Access Rights for the State WAVE agent are set. The image below shows the Objects and rights that are given to each object. This ensures the State agent is able to properly receive the information being sent from the Campus agent.

Access Control List for OK_Wave in OK_Wave												
Object Name	Req OK	Sub OK	Resp OK	Prov OK	Add OK	Chng OK	Del OK	OK	OK	OK	OK	OK
<input checked="" type="checkbox"/> AttendanceCodeInfo (sif1.1)	<input checked="" type="checkbox"/>	<input checked="" type="checkbox"/>	<input checked="" type="checkbox"/>	<input type="checkbox"/>	<input type="checkbox"/>	<input type="checkbox"/>	<input type="checkbox"/>	<input type="checkbox"/>	<input type="checkbox"/>	<input type="checkbox"/>	<input type="checkbox"/>	<input type="checkbox"/>
<input checked="" type="checkbox"/> CalendarDate (sif2.0)	<input checked="" type="checkbox"/>	<input checked="" type="checkbox"/>	<input checked="" type="checkbox"/>	<input type="checkbox"/>	<input type="checkbox"/>	<input type="checkbox"/>	<input type="checkbox"/>	<input type="checkbox"/>	<input type="checkbox"/>	<input type="checkbox"/>	<input type="checkbox"/>	<input type="checkbox"/>
<input checked="" type="checkbox"/> CalendarSummary (sif2.0)	<input checked="" type="checkbox"/>	<input checked="" type="checkbox"/>	<input checked="" type="checkbox"/>	<input type="checkbox"/>	<input type="checkbox"/>	<input type="checkbox"/>	<input type="checkbox"/>	<input type="checkbox"/>	<input type="checkbox"/>	<input type="checkbox"/>	<input type="checkbox"/>	<input type="checkbox"/>
<input checked="" type="checkbox"/> DisciplineIncident (sif2.0)	<input checked="" type="checkbox"/>	<input checked="" type="checkbox"/>	<input checked="" type="checkbox"/>	<input type="checkbox"/>	<input type="checkbox"/>	<input type="checkbox"/>	<input type="checkbox"/>	<input type="checkbox"/>	<input type="checkbox"/>	<input type="checkbox"/>	<input type="checkbox"/>	<input type="checkbox"/>
<input checked="" type="checkbox"/> LEAInfo (sif1.5)	<input checked="" type="checkbox"/>	<input checked="" type="checkbox"/>	<input checked="" type="checkbox"/>	<input type="checkbox"/>	<input type="checkbox"/>	<input type="checkbox"/>	<input type="checkbox"/>	<input type="checkbox"/>	<input type="checkbox"/>	<input type="checkbox"/>	<input type="checkbox"/>	<input type="checkbox"/>
<input checked="" type="checkbox"/> RoomInfo (sif1.1)	<input checked="" type="checkbox"/>	<input checked="" type="checkbox"/>	<input checked="" type="checkbox"/>	<input type="checkbox"/>	<input type="checkbox"/>	<input type="checkbox"/>	<input type="checkbox"/>	<input type="checkbox"/>	<input type="checkbox"/>	<input type="checkbox"/>	<input type="checkbox"/>	<input type="checkbox"/>
<input checked="" type="checkbox"/> SchoolCourseInfo (sif1.1)	<input checked="" type="checkbox"/>	<input checked="" type="checkbox"/>	<input checked="" type="checkbox"/>	<input type="checkbox"/>	<input type="checkbox"/>	<input type="checkbox"/>	<input type="checkbox"/>	<input type="checkbox"/>	<input type="checkbox"/>	<input type="checkbox"/>	<input type="checkbox"/>	<input type="checkbox"/>
<input checked="" type="checkbox"/> SchoolInfo (sif1.1)	<input checked="" type="checkbox"/>	<input checked="" type="checkbox"/>	<input checked="" type="checkbox"/>	<input type="checkbox"/>	<input type="checkbox"/>	<input type="checkbox"/>	<input type="checkbox"/>	<input type="checkbox"/>	<input type="checkbox"/>	<input type="checkbox"/>	<input type="checkbox"/>	<input type="checkbox"/>
<input checked="" type="checkbox"/> SectionInfo (sif1.1)	<input checked="" type="checkbox"/>	<input checked="" type="checkbox"/>	<input checked="" type="checkbox"/>	<input type="checkbox"/>	<input type="checkbox"/>	<input type="checkbox"/>	<input type="checkbox"/>	<input type="checkbox"/>	<input type="checkbox"/>	<input type="checkbox"/>	<input type="checkbox"/>	<input type="checkbox"/>
<input checked="" type="checkbox"/> StaffAssignment (sif1.5)	<input checked="" type="checkbox"/>	<input checked="" type="checkbox"/>	<input checked="" type="checkbox"/>	<input type="checkbox"/>	<input type="checkbox"/>	<input type="checkbox"/>	<input type="checkbox"/>	<input type="checkbox"/>	<input type="checkbox"/>	<input type="checkbox"/>	<input type="checkbox"/>	<input type="checkbox"/>
<input checked="" type="checkbox"/> StaffPersonal (sif1.1)	<input checked="" type="checkbox"/>	<input checked="" type="checkbox"/>	<input checked="" type="checkbox"/>	<input type="checkbox"/>	<input type="checkbox"/>	<input type="checkbox"/>	<input type="checkbox"/>	<input type="checkbox"/>	<input type="checkbox"/>	<input type="checkbox"/>	<input type="checkbox"/>	<input type="checkbox"/>
<input checked="" type="checkbox"/> StudentAcademicRecord (sif2.0)	<input checked="" type="checkbox"/>	<input checked="" type="checkbox"/>	<input checked="" type="checkbox"/>	<input type="checkbox"/>	<input type="checkbox"/>	<input type="checkbox"/>	<input type="checkbox"/>	<input type="checkbox"/>	<input type="checkbox"/>	<input type="checkbox"/>	<input type="checkbox"/>	<input type="checkbox"/>
<input checked="" type="checkbox"/> StudentAttendanceSummary (sif2.0)	<input checked="" type="checkbox"/>	<input checked="" type="checkbox"/>	<input checked="" type="checkbox"/>	<input type="checkbox"/>	<input type="checkbox"/>	<input type="checkbox"/>	<input type="checkbox"/>	<input type="checkbox"/>	<input type="checkbox"/>	<input type="checkbox"/>	<input type="checkbox"/>	<input type="checkbox"/>
<input checked="" type="checkbox"/> StudentContact (sif1.1)	<input checked="" type="checkbox"/>	<input checked="" type="checkbox"/>	<input checked="" type="checkbox"/>	<input type="checkbox"/>	<input type="checkbox"/>	<input type="checkbox"/>	<input type="checkbox"/>	<input type="checkbox"/>	<input type="checkbox"/>	<input type="checkbox"/>	<input type="checkbox"/>	<input type="checkbox"/>
<input checked="" type="checkbox"/> StudentDailyAttendance (sif1.1)	<input checked="" type="checkbox"/>	<input checked="" type="checkbox"/>	<input checked="" type="checkbox"/>	<input type="checkbox"/>	<input type="checkbox"/>	<input type="checkbox"/>	<input type="checkbox"/>	<input type="checkbox"/>	<input type="checkbox"/>	<input type="checkbox"/>	<input type="checkbox"/>	<input type="checkbox"/>
<input checked="" type="checkbox"/> StudentPersonal (sif1.1)	<input checked="" type="checkbox"/>	<input checked="" type="checkbox"/>	<input checked="" type="checkbox"/>	<input type="checkbox"/>	<input type="checkbox"/>	<input type="checkbox"/>	<input type="checkbox"/>	<input type="checkbox"/>	<input checked="" type="checkbox"/>	<input checked="" type="checkbox"/>	<input type="checkbox"/>	<input type="checkbox"/>
<input checked="" type="checkbox"/> StudentSchoolEnrollment (sif1.1)	<input checked="" type="checkbox"/>	<input checked="" type="checkbox"/>	<input checked="" type="checkbox"/>	<input type="checkbox"/>	<input type="checkbox"/>	<input type="checkbox"/>	<input type="checkbox"/>	<input type="checkbox"/>	<input type="checkbox"/>	<input type="checkbox"/>	<input type="checkbox"/>	<input type="checkbox"/>
<input checked="" type="checkbox"/> StudentSectionEnrollment (sif1.1)	<input checked="" type="checkbox"/>	<input checked="" type="checkbox"/>	<input checked="" type="checkbox"/>	<input type="checkbox"/>	<input type="checkbox"/>	<input type="checkbox"/>	<input type="checkbox"/>	<input type="checkbox"/>	<input type="checkbox"/>	<input type="checkbox"/>	<input type="checkbox"/>	<input type="checkbox"/>
<input checked="" type="checkbox"/> StudentSectionMarks (sif2.0)	<input checked="" type="checkbox"/>	<input checked="" type="checkbox"/>	<input checked="" type="checkbox"/>	<input type="checkbox"/>	<input type="checkbox"/>	<input type="checkbox"/>	<input type="checkbox"/>	<input type="checkbox"/>	<input type="checkbox"/>	<input type="checkbox"/>	<input type="checkbox"/>	<input type="checkbox"/>
<input checked="" type="checkbox"/> TermInfo (sif1.1)	<input checked="" type="checkbox"/>	<input checked="" type="checkbox"/>	<input checked="" type="checkbox"/>	<input type="checkbox"/>	<input type="checkbox"/>	<input type="checkbox"/>	<input type="checkbox"/>	<input type="checkbox"/>	<input type="checkbox"/>	<input type="checkbox"/>	<input type="checkbox"/>	<input type="checkbox"/>

Exclude SIF Reporting for a Calendar

PATH: *System Administration > Calendar > Calendar > Exclude from SIF Exchange*

Marking the **Exclude from SIF Exchange** checkbox on a calendar will exclude the SIF TermInfo and SchoolCourseInfo objects from generating or reporting records in SIF.

The screenshot shows the 'Calendar' configuration page for '16-17 HIGH SCHOOL'. The 'Calendar Info' section includes fields for Calendar ID (305), Name (16-17 HIGH SCHOOL), Start Date (07/01/2016), End Date (06/30/2017), Student Day (330), Teacher Day (364), Whole Day Absence (5), and Half Day Absence (1). The 'Exclude from SIF Exchange' checkbox is checked and highlighted with a red box. Other options include Summer School, School Choice, and External LMS Exclude.

Additional Setup

In order for data to populate the SIF

StudentAcademicRecord/AdditionalGraduationRequirementPerformanceHistory element, students must have a grading standard attached to their course with a Code = PFL (see image below).

Standard	Standard Group	Scoring Rubric	Post-only
FA- S: FA Skills	ELM 4th	ELM Standards	

FAQ

Does Campus use a single SIF Agent or multiple agents for differing types of data?

A: Campus provides a fully functioning ZIS which allows multiple agents to be connected and can communicate with all of them.

Is Any Special Software/Hardware Required to Host the Zone Integration Server (ZIS)?

A: No. Infinite Campus provides every customer with a free embedded ZIS.

How Does the Campus Data Integration Server (DIS) compare to the standard ZIS?

A: DIS is how Campus sends XML messages for different purposes (State Edition, Food Service, National Records Exchange). SIF is a subset of DIS. Campus' ZIS is SIF certified and we were the first company to receive SIF 2.0 ZIS certification.

Can I Modify and Customize Campus SIF Agent?

A: No. The SIF Agent is hard coded and does not allow for modification or customization.

What SIF Agents is Campus able to Connect With?

A: Campus can establish a SIF connection with every SIF agent that exists. Campus just needs to know which objects should to be sent to the SIF vendor.

Is There a Way to Send Only Certain Elements of a SIF Object?

A: No. When Campus sends information for a SIF object, all elements within that object are sent. There is no way to specify which elements within an object should be sent.

If a Student's Enrollment Record is Ended, Will SIF Messages Still be Sent for this Student?

A: Yes. As long as the enrollment record is in the zone it will send a SIF message that will include the Entry Date and Exit Date.
